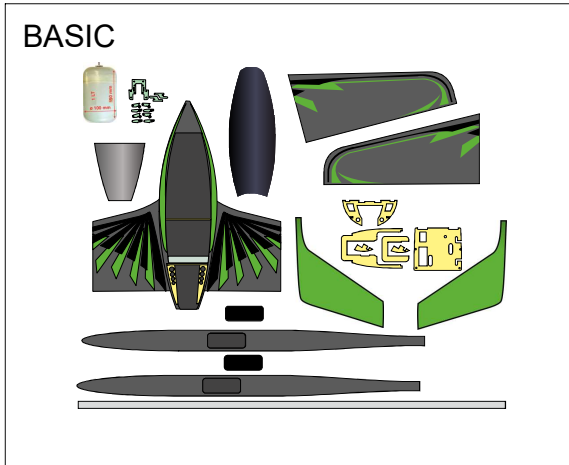


# HERON

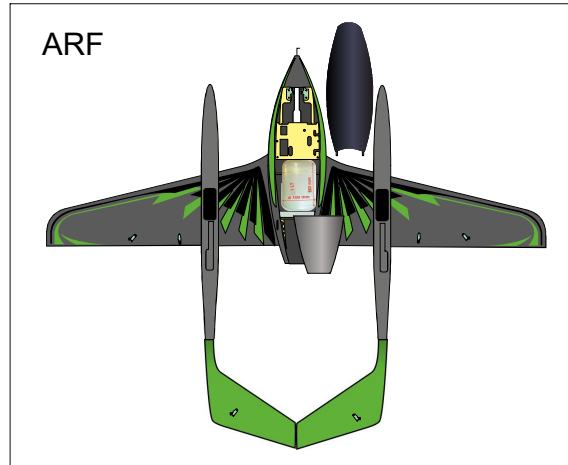
## Basic kit include:

- painted fiberglass parts
- wooden parts
- vetronite horns
- aluminium pipe
- tank



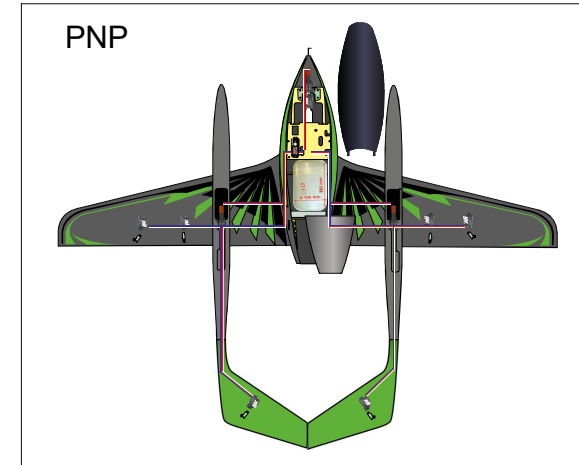
## ARF kit include:

- painted fiberglass parts
- wooden parts
- vetronite horns
- aluminium pipe
- tank
- prebuilding (all works done, ready for components installation)



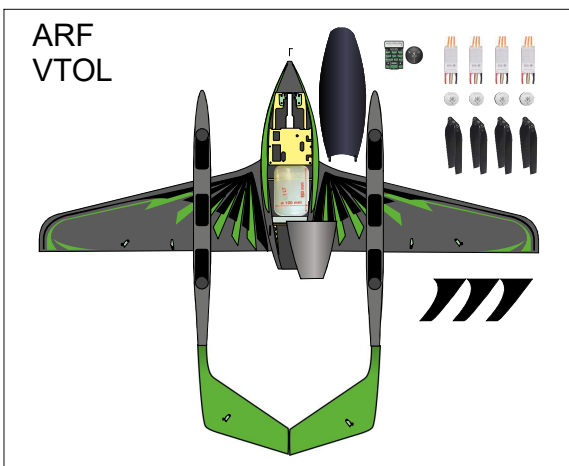
## PNP kit include:

- painted fiberglass parts
- wooden parts
- vetronite horns
- aluminium pipe
- tank
- retract set Electron Er30 eVo
- Electronic switch Alewings
- n° 7 servos MKS Hv69
- wiring and connectors
- prebuilding (all components installed :ready for receivers, engine and go fly)



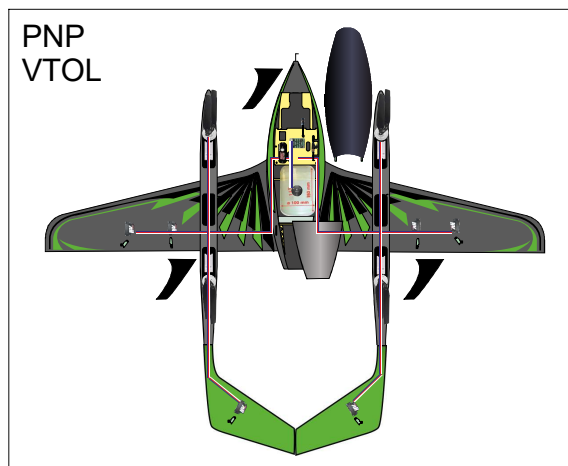
## ARF VTOL kit include:

- painted fiberglass parts
- wooden parts
- vetronite horns
- aluminium pipe
- tank
- 4 electric motors TMotor Mn501
- 4 folding propellers 15,5"
- 4 ESC ALPHA 60A HV
- autopilot with GPS Nano V5
- carbon legs «drone style»
- prebuilding (all works done, ready for electronics and engine)



## PNP VTOL kit include:

- painted fiberglass parts
- wooden parts
- vetronite horns
- aluminium pipe
- tank
- 4 electric motors TMotor Mn501
- 4 folding propellers 15,5"
- 4 ESC ALPHA 60A HV
- autopilot with GPS Nano V5
- carbon legs «drone style»
- electronic switch Alewings
- n° 7 servos MKS Hv69
- wiring and connectors
- prebuilding (all components installed :ready for receivers, engine and go fly)



## PNP VTOL/ER kit include:

- painted fiberglass parts
- wooden parts
- vetronite horns
- aluminium pipe
- tank
- 4 electric motors TMotor Mn501
- 4 folding propellers 15,5"
- 4 ESC ALPHA 60A HV
- autopilot with GPS Nano V5
- retract set Electron Er30 eVo
- Electronic switch Alewings
- n° 7 servos MKS Hv69
- wiring and connectors
- prebuilding (all components installed :ready for receivers, engine and go fly)

